

Model: 010118-1-F08 010123-1-F08 010131-1-F08 010136-1-H01
 010118-1-H01 010123-1-H01 010131-1-H01 010136-1-F08
 010118-3-F08 010123-3-F08 010131-3-F08 010136-3-H01
 010118-3-H01 010123-3-H01 010131-3-H01 010136-3-F08

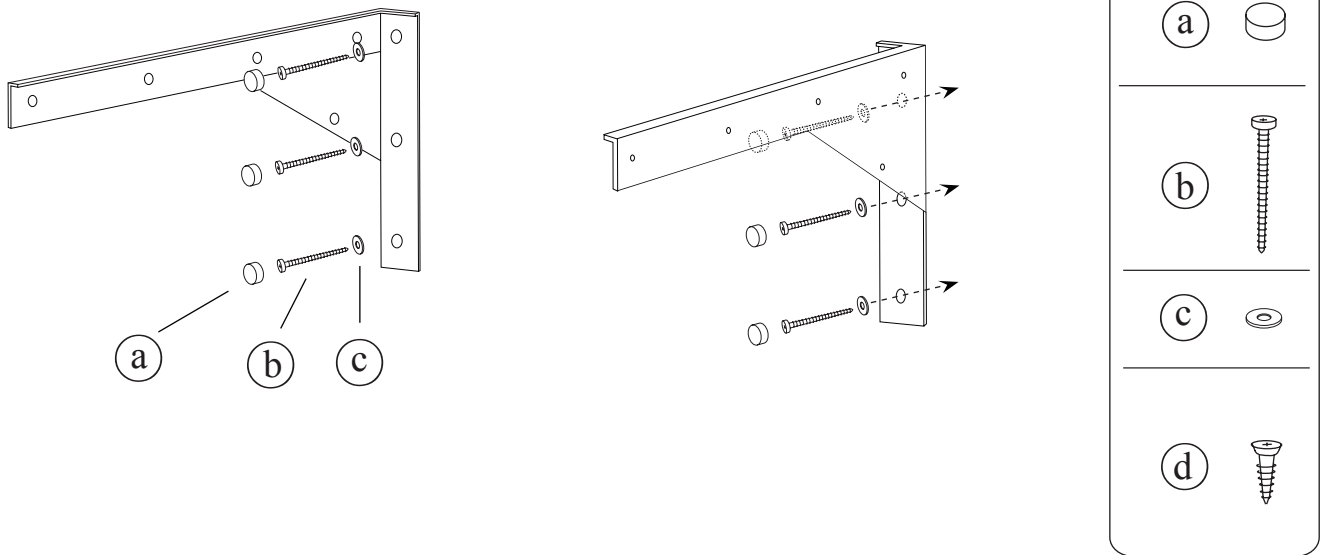
Wall Hung Collection

Notes : (U.S. Customers) Please disregard Plastic Anchors in hardware kit.

When installing cabinet onto a hollow wall, the use of a horizontal reinforcement beam such as a 2" x 8" or 2" x 10" spanning at least two vertical studs is required.

Cabinets that are installed onto a hollow wall without a reinforcement beam will void the manufacturer warranty.

Step 1 :



Step 2 : Attach the cabinet to the wall bracket.

