

Model: 035823
035831
035836

Contempo Collection

For installing STONE top:

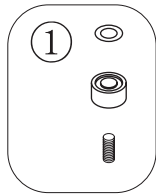
Use silicone adhesive to secure top to leg support. Stone top does not come with spacers.

For installing WOOD top:

Chrome spacers (parts 1) may be used but are not necessary. Wood top may be placed on spacers or may be glued to leg supports by using silicone adhesives.

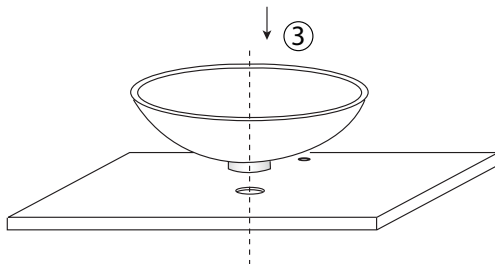
CAUTION : when using adhesives with silicone.
Once in place, silicone will be difficult to remove.

Step 1 : Screw in the countertop spacers into the holes provided on top of the cabinet



Step 2 : Set your countertop on the spacers

Step 3 : Position your sink over the drain hole on the countertop

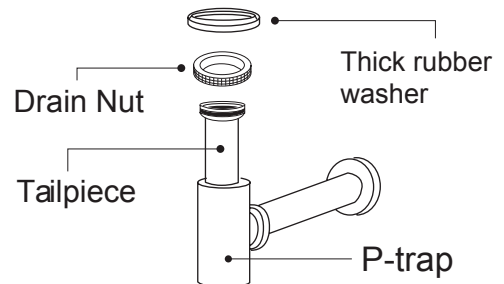
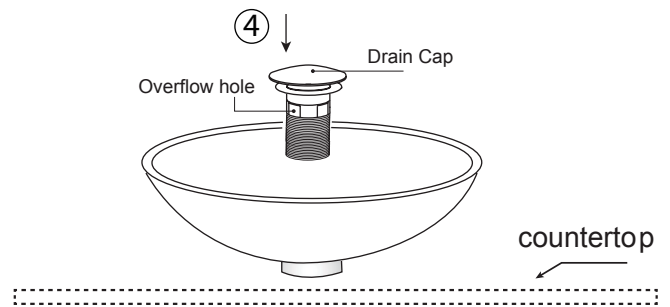
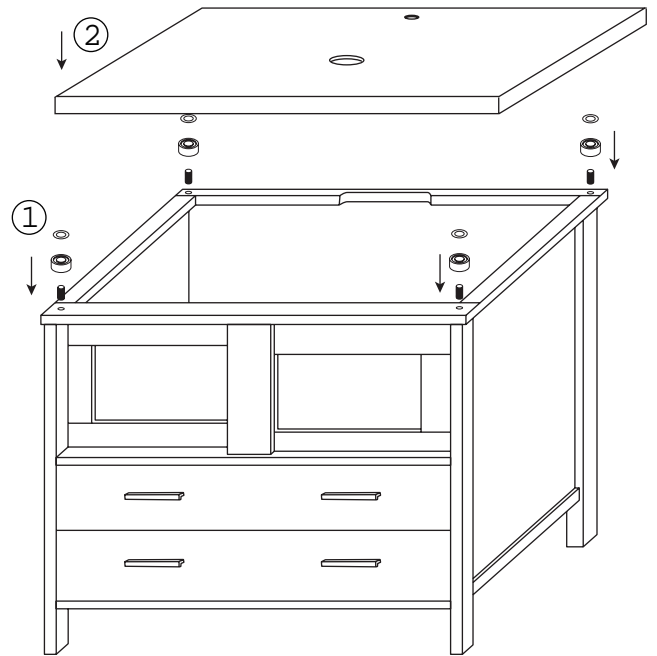


Step 4 : Installing Drain

Place a generous portion of plumbers' putty under drain cap and insert whole drain body inside the bowl and through the countertop

From under the drain, insert the thick rubber washer and screw on and tighten the metal nut. Remove excess plumbers' putty. Attach p-trap to tailpiece

(There may be a small beveled rubber washer packaged with your drain, **please discard this and use plumbers' putty instead.**)



Model: 035823
035831
035836

Contempo Collection

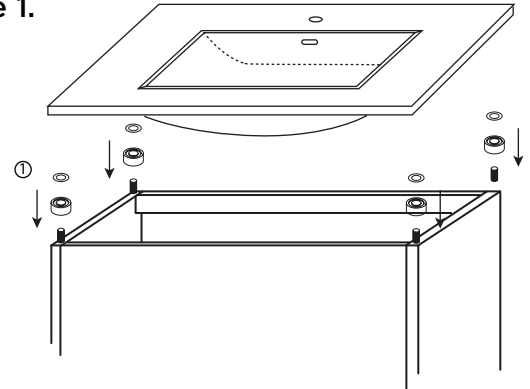
Note : This is for installing Glass Sinktop

Step 1 : Screw in 4 countertop spacers ① into the holes provided on top of the cabinet

See Figure 1.



Figure 1.



Step 2 : Position and set vanity top on cabinet

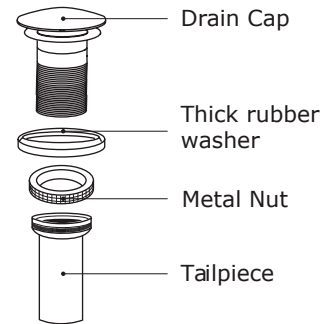
See Figure 1.

Step 3 : Place a generous portion of plumbers' putty under drain cap and insert whole drain body inside the bowl and through the countertop.

(There may be a small beveled rubber washer packaged with your drain, please discard this and use plumbers' putty instead)

See Figure 2.

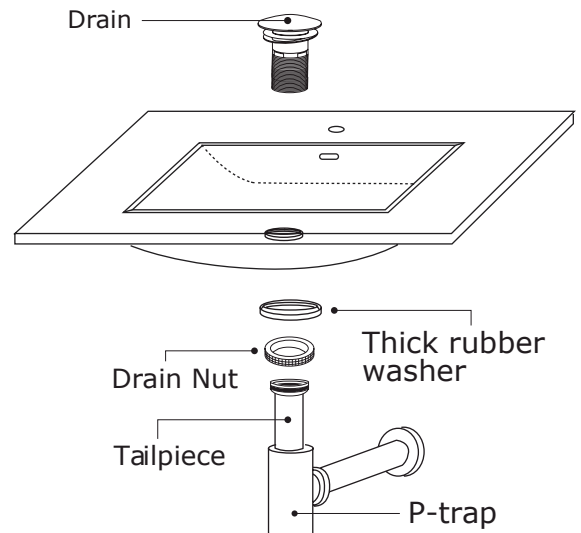
Figure 2.



Step 4 : From under the drain, insert the thick rubber washer and screw on and tighten the metal nut. Remove excess plumbers' putty

See Figure 3.

Figure 3.



Step 5 : Attach p-trap to tailpiece.

Model: 035823
035831
035836

Contempo Collection

Note : This is for installing Larisa™ sinks

Step 1 : Place adhesive around top of cabinet

See Figure 1.

Step 3 : Place a generous portion of plumbers' putty under drain cap and insert whole drain body inside the bowl and through the countertop.

(There may be a small beveled rubber washer packaged with your drain, please discard this and use plumbers' putty instead)

See Figure 2.

Step 4 : From under the drain, insert the thick rubber washer and screw on and tighten the metal nut. Remove excess plumbers' putty

See Figure 3.

Step 5 : Attach p-trap to tailpiece.

Figure 1.

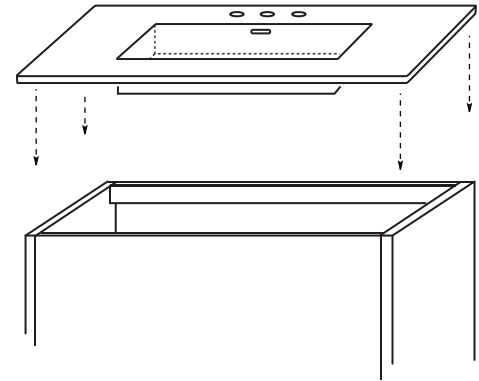


Figure 2.

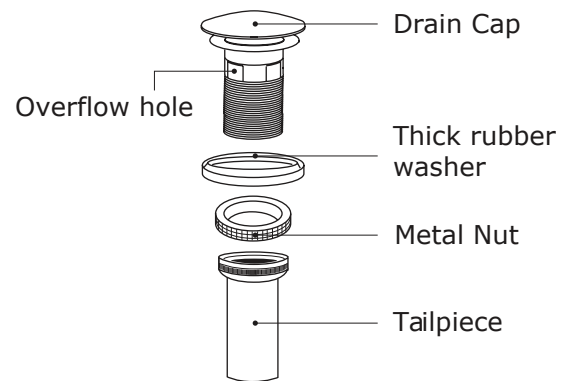


Figure 3.

