

- Frosted Glass sliding doors
- Soft Close and Full Extension drawers with Dovetail construction
- Undermount glides
- Matching finish throughout the interior
- Optional Metal Feet in Polished Chrome (PC) and Brushed Nickel (BN)
- Optional Drawer Organizer
- Matching Mirror, Medicine Cabinet, Wall Cabinet, Side Cabinet and Linen Tower
- Handles meet USA standards: 5" center to center

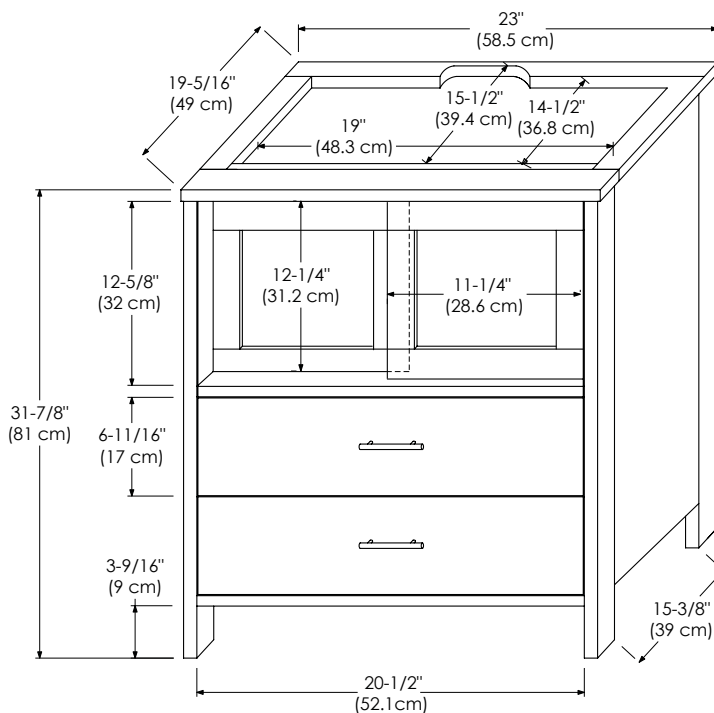
All Ronbow cabinets are made of solid hardwood or hardwood plywood and meet strict CARB Standards. No particle Board or Micro-Density Fiberboard (MDF) are used.

Available finishes:

- CINNAMON F08
- DARK CHERRY H01

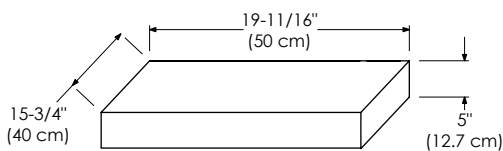
Available tops:

- CERAMIC SINKTOP
- GLASS SINKTOP
- TECHSTONE™ TOP
- WIDEAPPEAL™ TOP

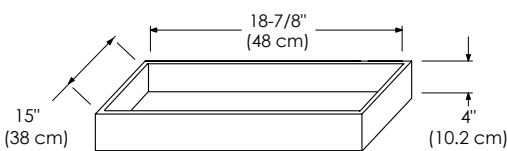


DRAWER

Exterior dimensions



Inner dimensions



BACK PANEL

