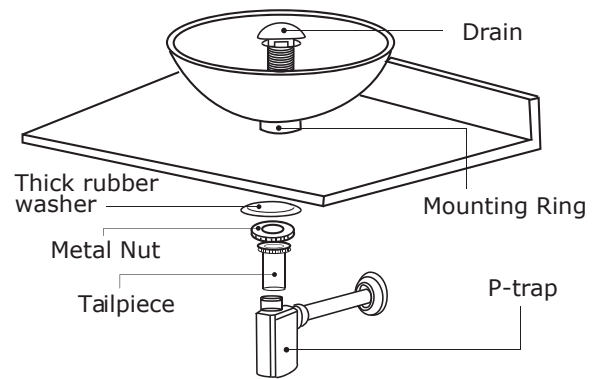
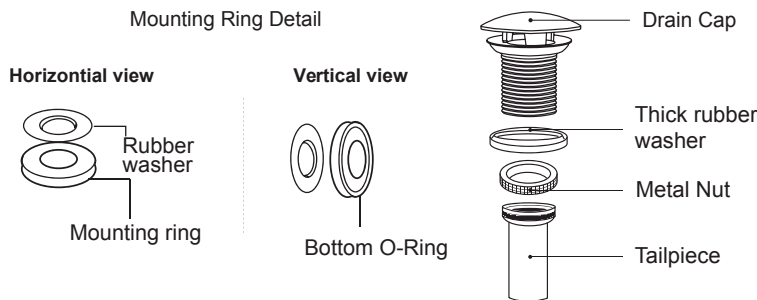
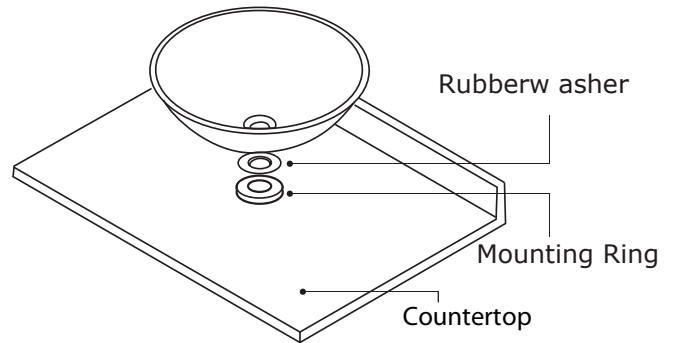


Model: 040425 040436
040430

Pacific Rim Collection

Note : For installing above counter sink.
DO NOT USE any adhesives with silicone. Silicone will bond to the decorative finish and cause permanent damage.

Step 1 : Position and drill a 1-3/4" hole for the drain on the countertop. Place mounting ring under the sink as shown on the right



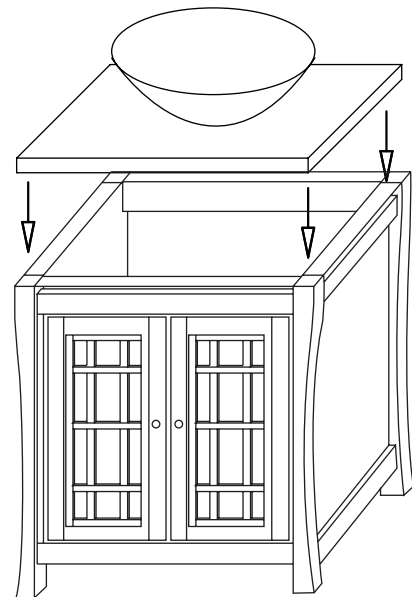
Step 2 : Drain assembly picture

Place a generous portion of plumbers' putty under drain cap and insert whole drain body inside the bowl and through the countertop

(There may be a small beveled rubber washer packaged with your drain, please discard this and use plumbers' putty instead)

Step 3 : From under the drain, insert the thick rubber washer and screw on and tighten the metal nut. Remove excess plumbers' putty and attach p-trap to tailpiece

Step 4 : Secure top & back splash to cabinet by using adhesive caulk



Model: 040425 040436
040430

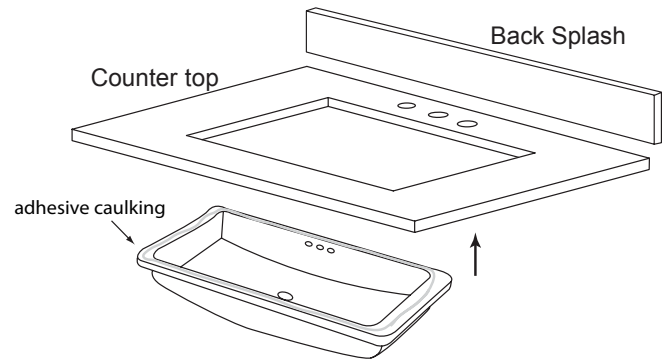
Pacific Rim Collection

Note : For installing under counter sink with counter top

Step 1 : Apply adhesive caulking around the topside of rim near the edge, Carefully raise sink in place, align, and press firmly

See Figure 1.

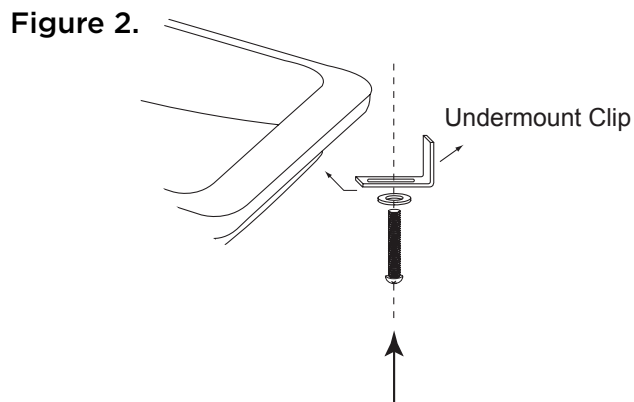
Figure 1.



Step 2 : Attach 4 undermount-clips to hold lavatory in place

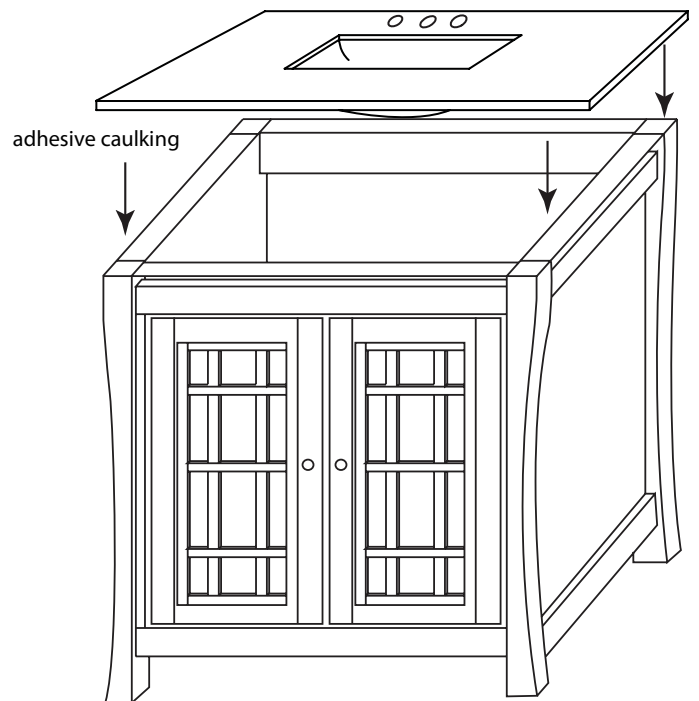
See Figure 2.

Figure 3.



Step 3 : Secure top & back splash to cabinet by using adhesive caulk

See Figure 3.



Model: 040425 040436
040430

Pacific Rim Collection

Note : For installing under counter sink with WideAppeal Top

Step 1 : DO NOT DISCARD WOODEN INSTALLATION BRACKET!

- Make sure wooden installation bracket is safely secure
- Install under counter sink by following specific sink installation

See Figure 1.

- Step 2 :**
- For best results, clean the mounting surfaces with a dry cleaning cloth
 - To prevent over flow of adhesive, use masking tape to tape off the edges of the cabinet and the counter top

Step 3 : Apply adhesive on wood bracket and mounting surfaces of the cabinet

See Figure 2.

Step 4 : Carefully place countertop on to the cabinet, align, and press firmly

See Figure 3.

Figure 1.

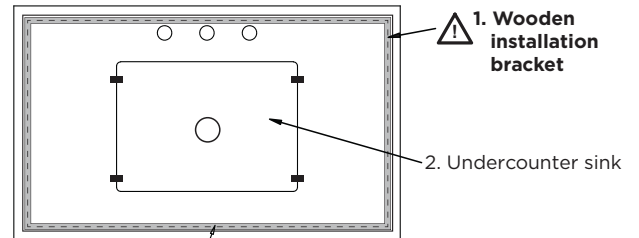


Figure 2.

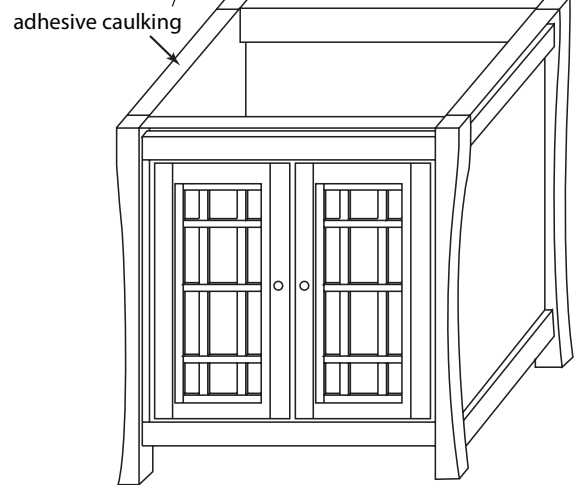


Figure 3.

