

MODEL: 200520-COLOR

UNDER COUNTER SINKS

Under counter ceramic vessel with overflow

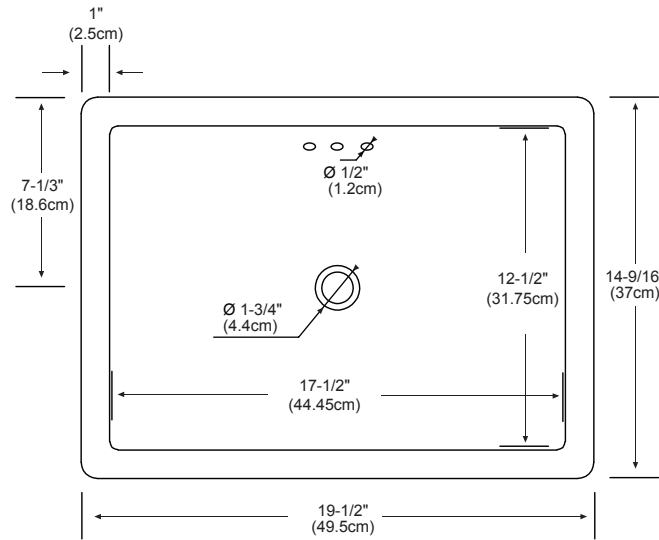
Codes/Standards Applicable

Specified model meets or exceeds the following:

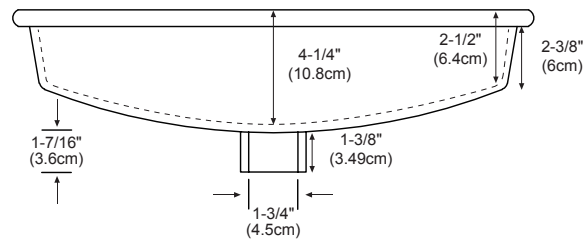
- ASME A112.19.2
- IAPMO/cUPC®
- CSA B45
- CMR 248

Available Colors:

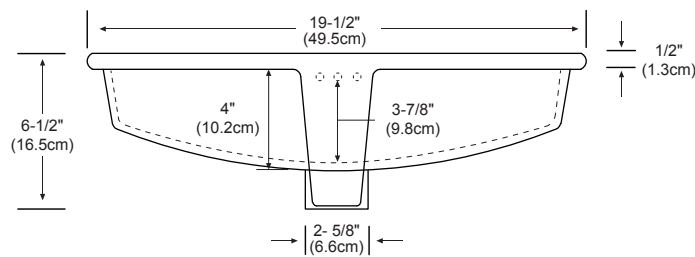
- WHITE WH
- BISCUIT BI
- BLACK BL
- COOL GRAY CG
- SKY BLUE SB



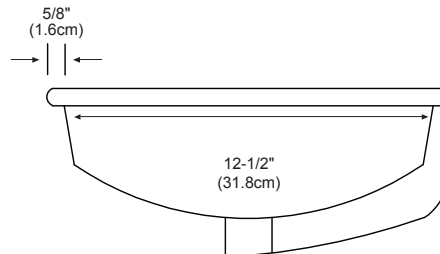
TOP



FRONT



BACK



SIDE

By IAPMO, ceramic lavatory warpage is defective only if warpage of flat slab out of horizontal plane exceeds 6.3 mm/m (0.25 in/ft) on all sizes OR warpage on back of lavatories that are attached to the wall exceeds 3 mm (0.13 in).