

Model : 053831 **Sink :** 218132
 053847 218147

Neo-Classic Collection

Step 1 : Place adhesive around top of cabinet

Step 2 : Position and set vanity top on cabinet

See Figure 1.

Step 3 : Place a generous portion of plumbers' putty under drain cap and insert whole drain body inside the bowl and through the countertop.

(There may be a small beveled rubber washer packaged with your drain, please discard this and use plumbers' putty instead)

See Figure 2.

Step 4 : From under the drain, insert the thick rubber washer and screw on and tighten the metal nut. Remove excess plumbers' putty

See Figure 3.

Step 5 : Attach p-trap to tailpiece.

Figure 1.

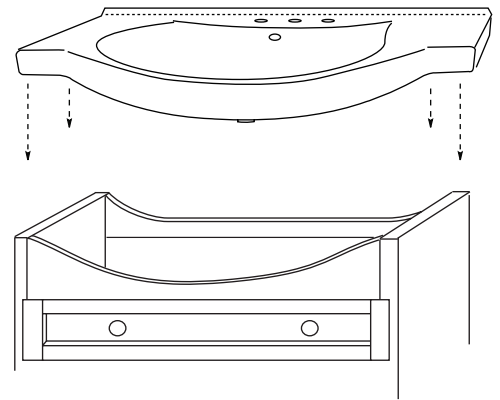


Figure 2.

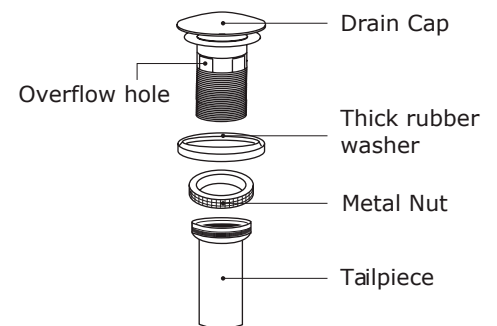


Figure 3.

