

**Model:** 067324  
067330

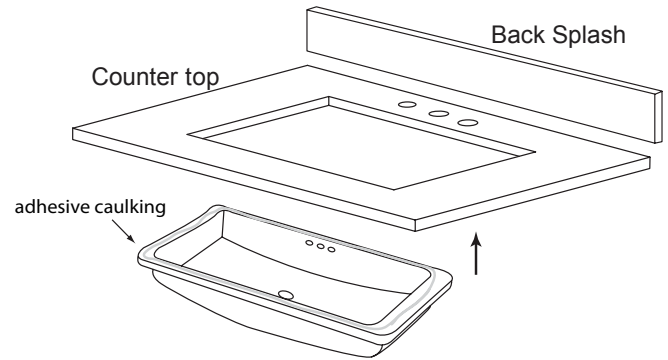
Traditions Collection

**Note :** For installing under counter sink with counter top

**Step 1 :** Apply adhesive caulking around the topside of rim near the edge, Carefully raise sink in place, align, and press firmly

**See Figure 1.**

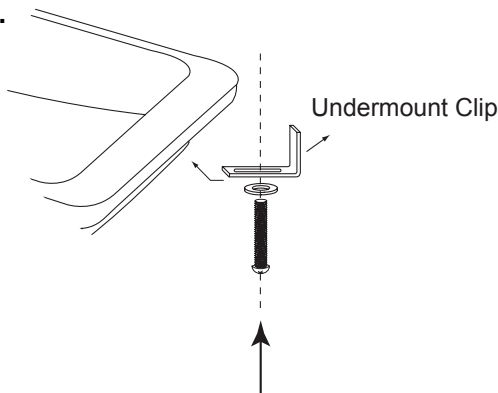
**Figure 1.**



**Step 2 :** Attach 4 undermount-clips to hold lavatory in place

**See Figure 2.**

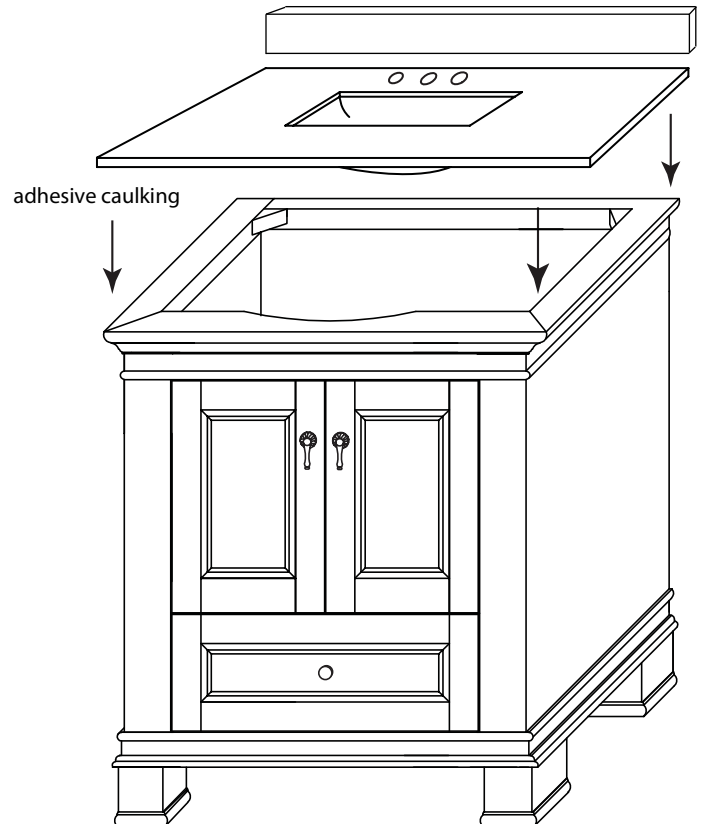
**Figure 2.**



**Step 3 :** Secure top & back splash to cabinet by using adhesive caulk

**See Figure 3.**

**Figure 3.**



**Model:** 067324  
067330

Traditions Collection

**Note :** For installing under counter sink with WideAppeal Top

**Step 1 : DO NOT DISCARD WOODEN INSTALLATION BRACKET!**

- Make sure wooden installation bracket is safely secure
- Install under counter sink by following specific sink installation

**See Figure 1.**

- Step 2 :**
- For best results, clean the mounting surfaces with a dry cleaning cloth
  - To prevent over flow of adhesive, use masking tape to tape off the edges of the cabinet and the counter top

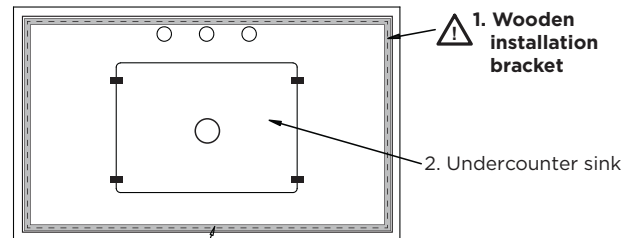
**Step 3 :** Apply adhesive on wood bracket and mounting surfaces of the cabinet

**See Figure 2.**

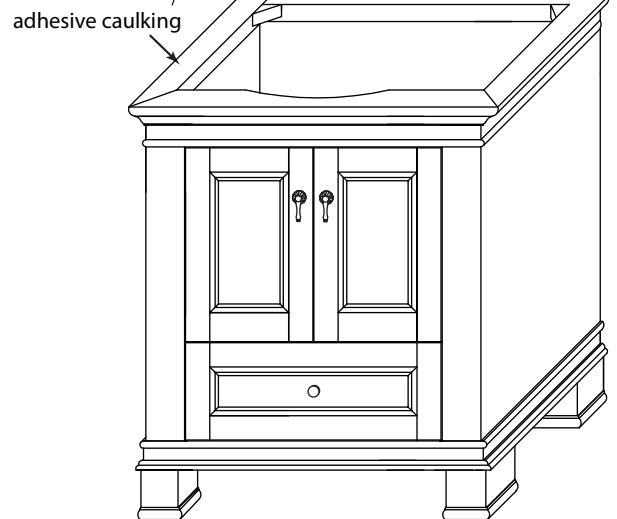
**Step 4 :** Carefully place countertop on to the cabinet, align, and press firmly

**See Figure 3.**

**Figure 1.**



**Figure 2.**



**Figure 3.**

