

MODEL: 420819-COLOR

SINKS FOR ABOVE COUNTER

Tempered glass vessel without overflow

Codes/Standards Applicable

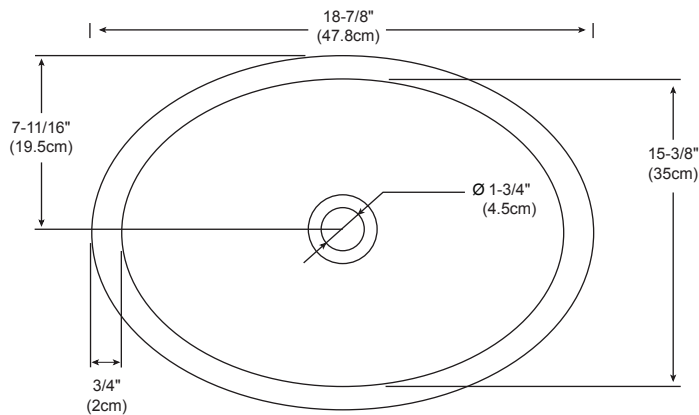
Specified model meets or exceeds the following:

- IAPMO/cUPC®
- CSA B45
- CMR 248

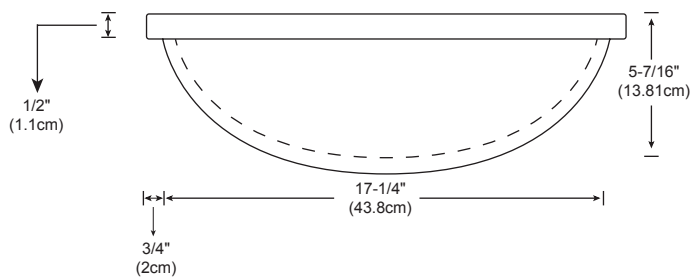
Available Colors:

OBSCURE GLASS S16

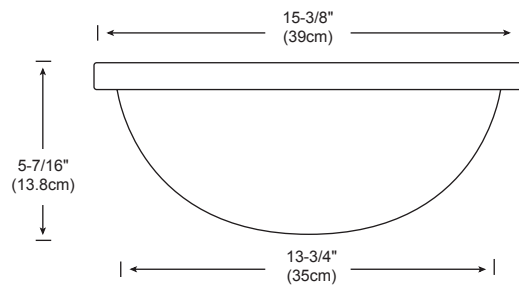
AMBER GLASS S30



TOP



FRONT



SIDE