

## Solid wood frame

All Ronbow cabinets are made of solid hardwood or hardwood plywood and meet strict CARB Standards. No particle Board or Micro-Density Fiberboard (MDF) are used.

### Available finishes:

AGED OAK E34

AMERICAN WALNUT E56

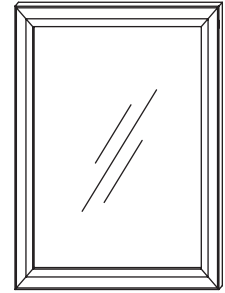
CAFÉ WALNUT F13

OCEAN GRAY F21

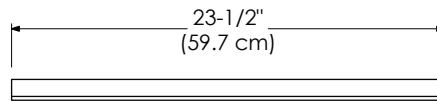
VINTAGE HONEY R01

VINTAGE CAFÉ R12

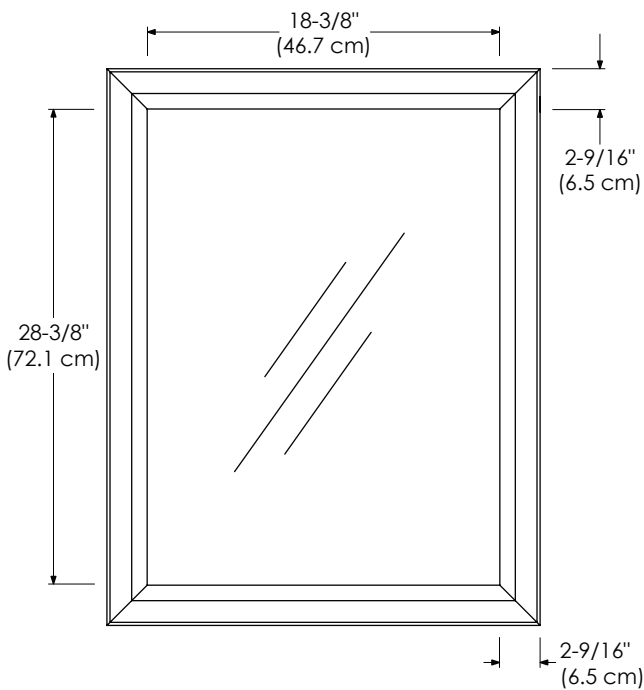
WHITE W01



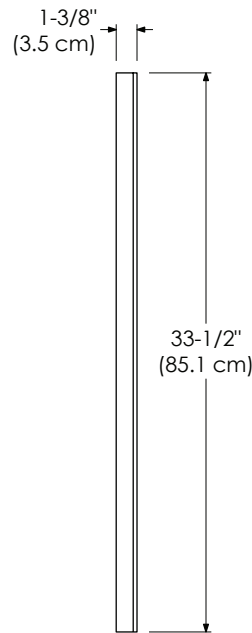
TOP VIEW



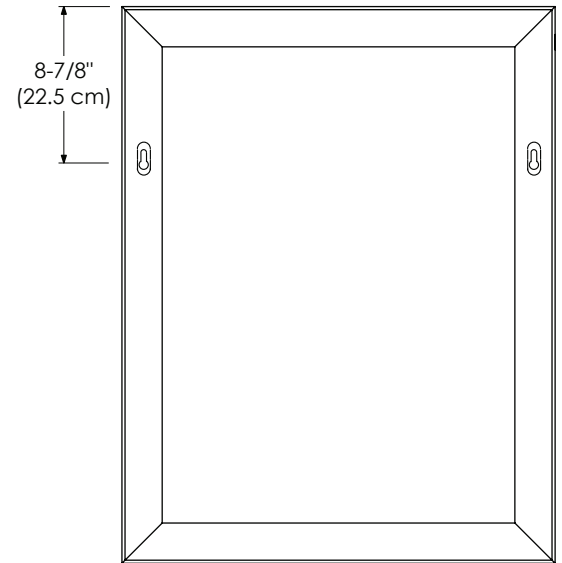
FRONT VIEW



SIDE VIEW



BACK VIEW



# TRANSITIONAL STYLE WOOD FRAME MIRROR 24" / 30" / 60"

RONBOW

MODEL: 603130-COLOR

SPECIFICATION SHEET

ACCESSORIES

Solid wood frame

All Ronbow cabinets are made of solid hardwood or hardwood plywood and meet strict CARB Standards. No particle Board or Micro-Density Fiberboard (MDF) are used.

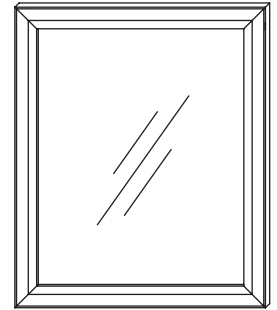
Available finishes:

AMERICAN WALNUT E56

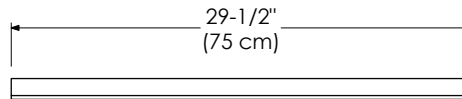
CAFÉ WALNUT F13

OCEAN GRAY F21

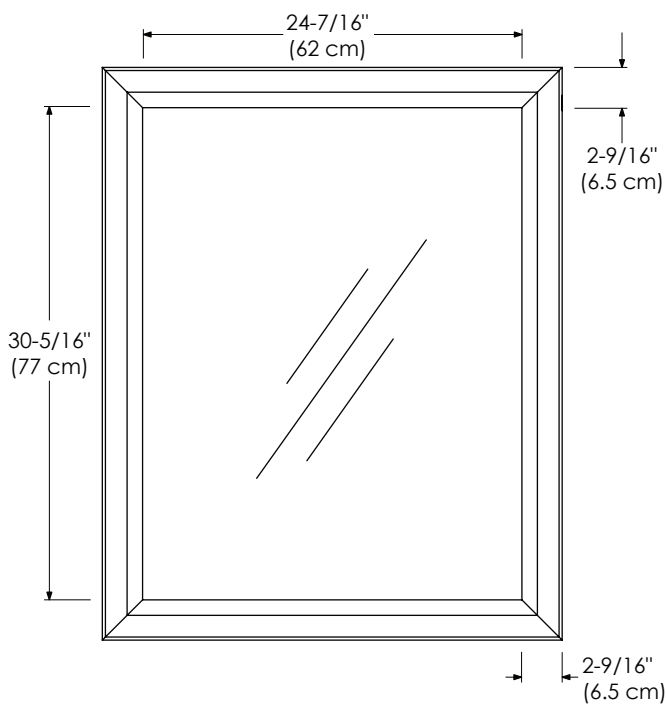
WHITE W01



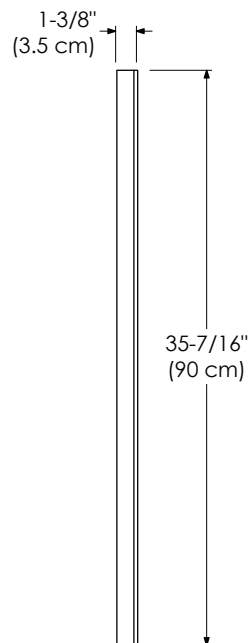
TOP VIEW



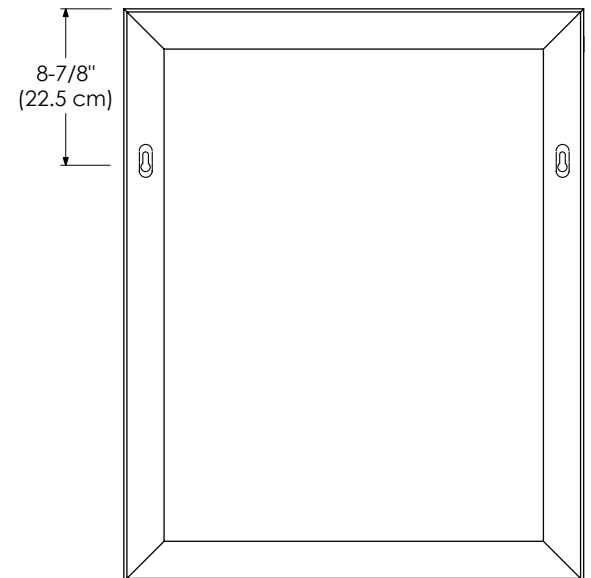
FRONT VIEW



SIDE VIEW



BACK VIEW



# TRANSITIONAL STYLE WOOD FRAME MIRROR 24" / 30" / 60"

RONBOW

MODEL: 603160-COLOR

SPECIFICATION SHEET

ACCESSORIES

## Solid wood frame

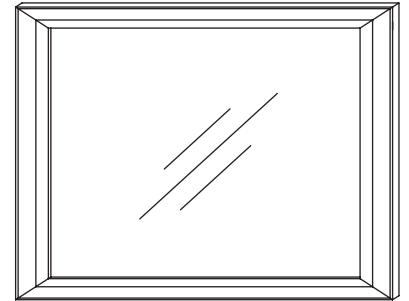
All Ronbow cabinets are made of solid hardwood or hardwood plywood and meet strict CARB Standards. No particle Board or Micro-Density Fiberboard (MDF) are used.

## Available finishes:

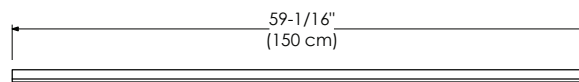
CAFÉ WALNUT F13

OCEAN GRAY F21

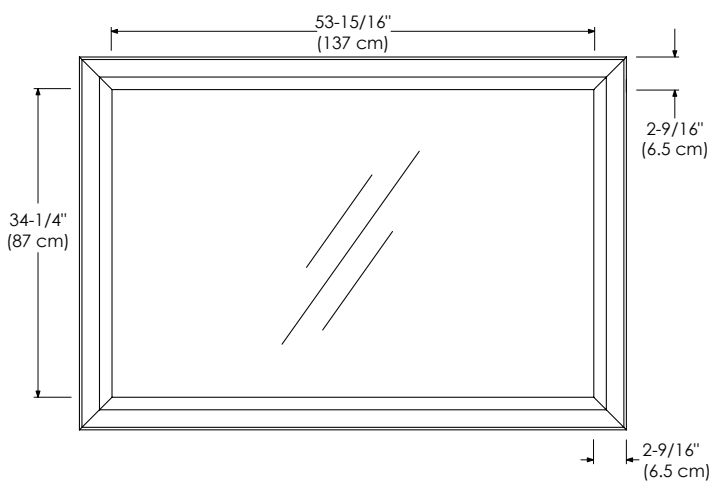
WHITE W01



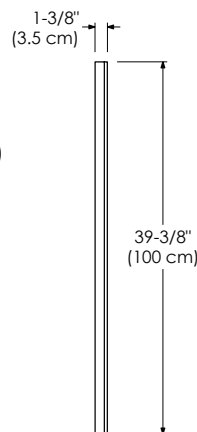
TOP VIEW



FRONT VIEW



SIDE VIEW



BACK VIEW

