

**Model:** 073036    **Sink :** 200513  
 420819  
 200392

**Countertop :** 309337  
 315337  
 519037

Vintage Collection

**Note : For Self-Rimming Sinks**

- Step 1 :**
- Position countertop opening to ensure clearance between the lavatory, faucet, and backsplash
  - Cut counter top opening
  - Cut-out max: 8-1/2" Diameter
  - Set sink and seal with silicone or caulking

**Step 2 :** Place a generous portion of plumbers' putty under drain cap and insert whole drain body inside the bowl and through the countertop

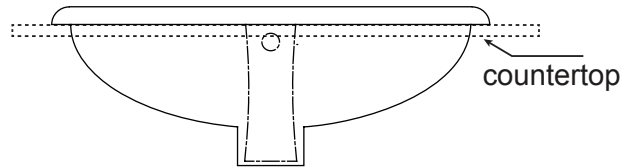
(There may be a small beveled rubber washer packaged with your drain, please discard this and use plumbers' putty instead)

**See Figure 1.**

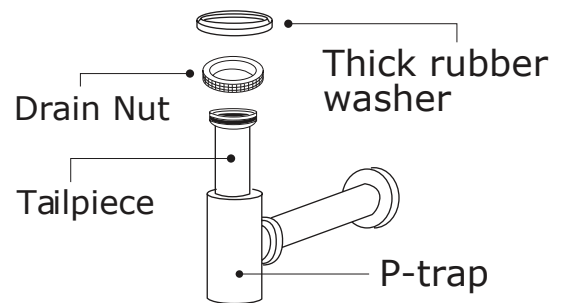
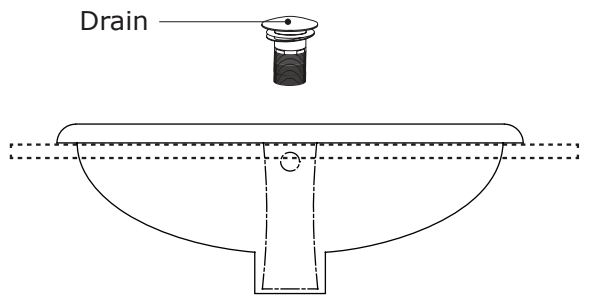
**Step 3 :** From under the drain, insert the thick rubber washer and screw on and tighten the metal nut. Remove excess plumbers' putty

**See Figure 2.**

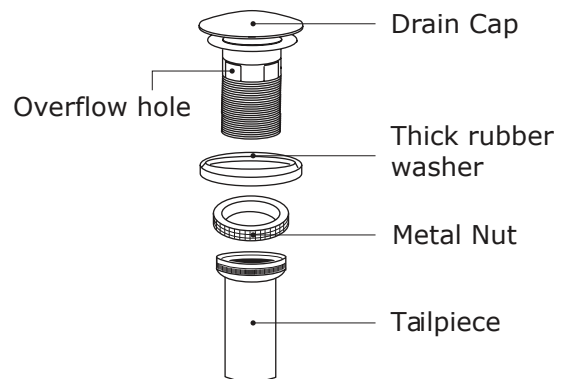
**Step 4 :** Attach p-trap to tailpiece.



**Figure 1.**



**Figure 2.**



Model: 073036

Sink : 200513  
420819  
200392

Countertop : 309337  
315337  
519037

Vintage Collection

**Note : For Under Counter Sinks**

**Step 1 :** Apply adhesive caulking around the topside of rim near the edge

See Figure 1.

**Step 2 :** Carefully raise sink in place, align, and press firmly

See Figure 1.

**Step 3 :** Attach 4 undermount clips to hold lavatory in place.

See Figure 2.

**Step 4 :** Secure top & back splash to cabinet by using adhesive caulk

See Figure 3.

Figure 1.

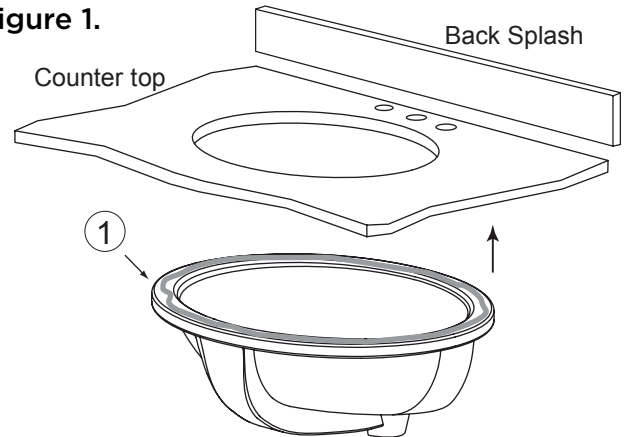


Figure 2.

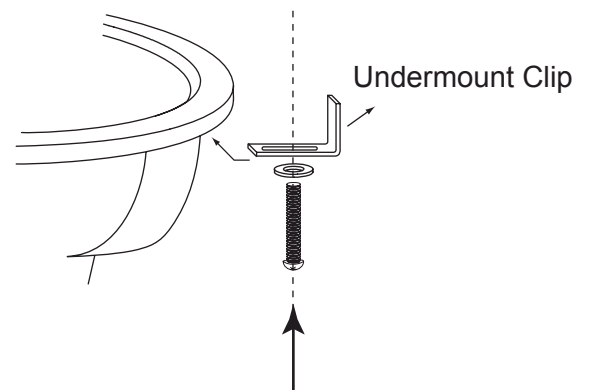


Figure 3.

