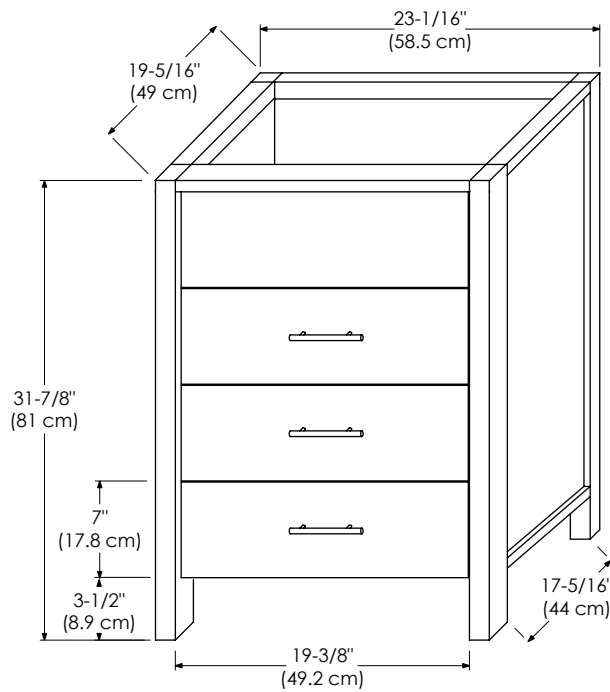


Soft Close and Full Extension drawers with Dovetail construction
 Undermount glides
 Matching finish throughout the interior
 Extend design with Optional 12" & 15" Drawer Bridge and 15" Shelf Bridge
 Optional Metal Feet in Polished Chrome (PC) and Brushed Nickel (BN)
 Optional Drawer Organizer
 Matching Mirror, Medicine Cabinet, Wall Cabinet, Side Cabinet and Linen Tower
 Handles meet USA standards: 5" center to center

All Ronbow cabinets are made of solid hardwood or hardwood plywood and meet strict CARB Standards. No particle Board or Micro-Density Fiberboard (MDF) are used.

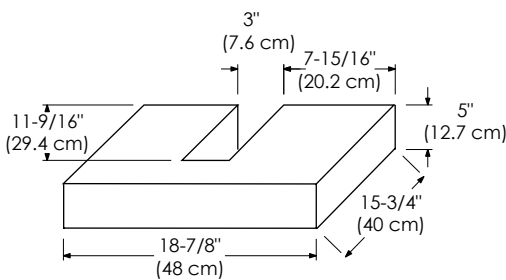
Available finishes:
 CINNAMON F08
 DARK CHERRY H01

Available tops:
 CERAMIC SINKTOP
 GLASS SINKTOP
 TECHSTONE™ TOP
 WIDEAPPEAL™ TOP

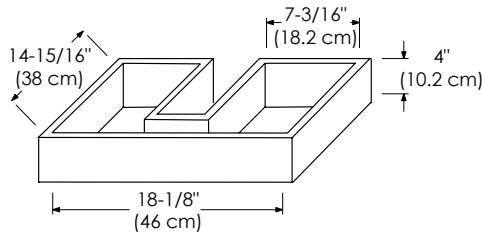


TOP & MIDDLE DRAWER

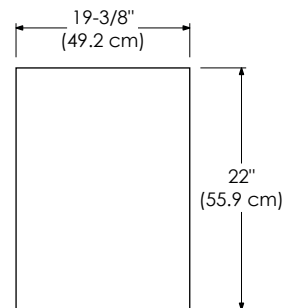
Exterior dimensions



Inner dimensions



BACK PANEL

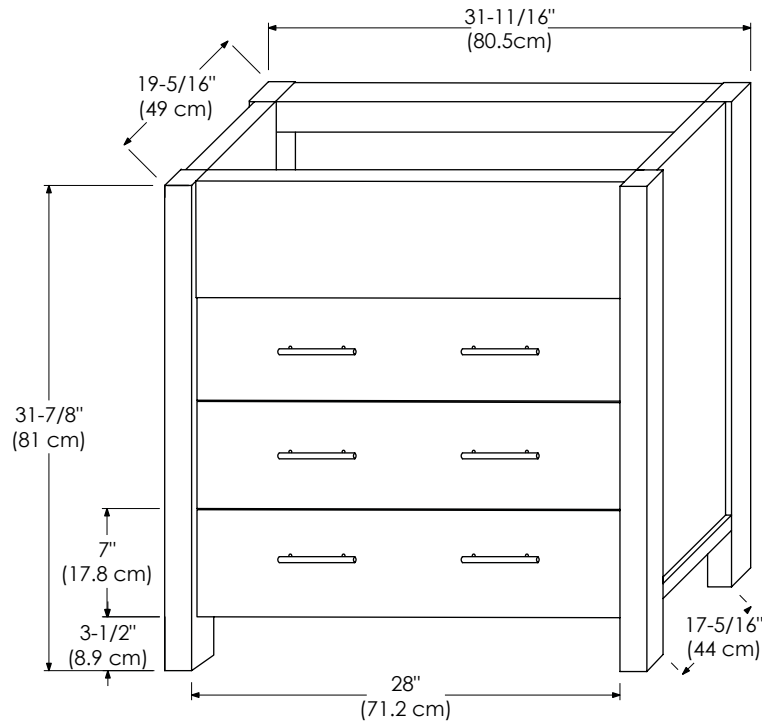


Soft Close and Full Extension drawers with Dovetail construction
 Undermount glides
 Matching finish throughout the interior
 Extend design with Optional 12" & 15" Drawer Bridge and 15" Shelf Bridge
 Optional Metal Feet in Polished Chrome (PC) and Brushed Nickel (BN)
 Optional Drawer Organizer
 Matching Mirror, Medicine Cabinet, Wall Cabinet, Side Cabinet and Linen Tower
 Handles meet USA standards: 5" center to center

All Ronbow cabinets are made of solid hardwood or hardwood plywood and meet strict CARB Standards. No particle Board or Micro-Density Fiberboard (MDF) are used.

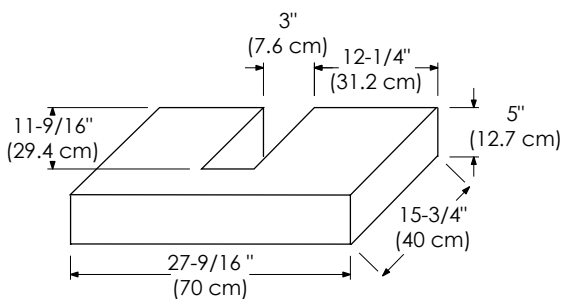
Available finishes:
 CINNAMON F08
 DARK CHERRY H01

Available tops:
 CERAMIC SINKTOP
 GLASS SINKTOP
 TECHSTONE™ TOP
 WIDEAPPEAL™ TOP

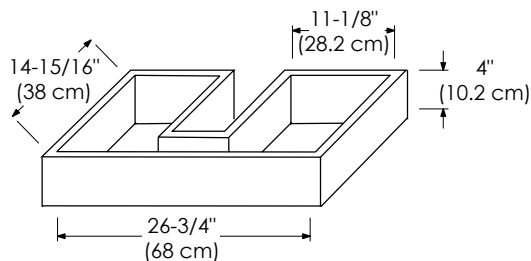


TOP & MIDDLE DRAWER

Exterior dimensions



Inner dimensions



BACK PANEL

