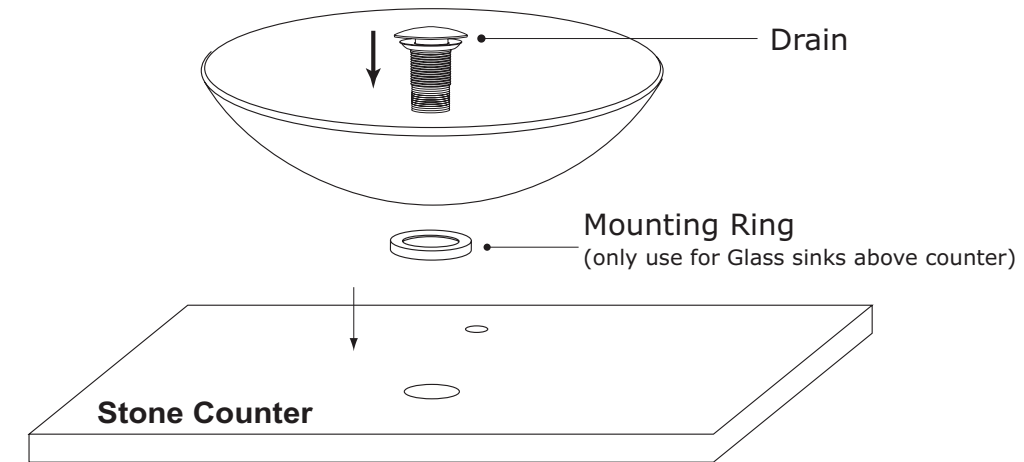


Stone Counter Top Installation Guide
For ABOVE COUNTER sinks without overflow

Model: CTA_Series



Secure top & Back Splash to cabinet by using Adhesive caulk.

