

CONSOLES

To install GLASS top:

Screw on chrome spacers (parts A, B, & C) to leg support. Glass top is placed on top of spacers.

To install WOOD top:

Chrome spacers (parts A, B & C) may be used but are not necessary. Wood top may be placed on spacers or may be glued to leg supports by using silicone adhesives.

To installing STONE top:

Discard chrome spacers and use silicone adhesive to secure top to leg support.

To install towel bar (T):

Drill towel bar holders (part F) into each leg support and insert towel bar (T). Use set screw (part G) to tighten

To install leg support:

Drill screws (parts D & E) into wall through holes in leg supports. There should be 4 holes per each leg support. Please make sure there is proper support behind the wall in your drill location. Different wall materials may require different screw types. Please consult your local hardware store.

To install bottom shelf (S):

The bottom shelf rests on the bottom ledge of the leg supports. No adhesives are necessary.

note: Towel bar (T), bottom Drawer and Bottom Shelf (S) are optional and it must be purchased separately.

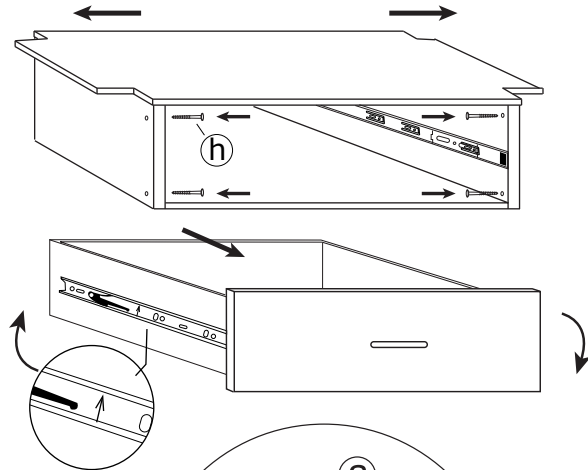
Install Bottom Drawer

Step 1.

Release the lever on each side, according to the arrows and pull out drawer.

Step 2.

screw to the side of the stand



a	
b	
c	
d	
e	
f	
g	
h	

