

Ceramic Vessel

Square Ceramic Vessel without overflow

Model: CB5005

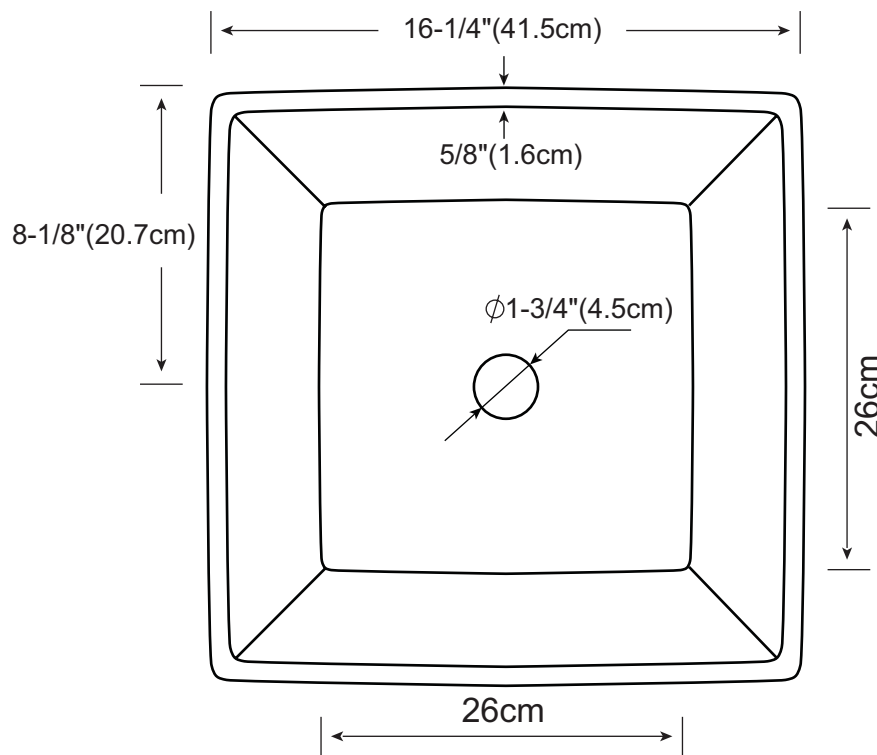
Codes/Standards Applicable

Specified model meets or exceeds the following:

- ASME A112.19.2
- IAPMO/cUPC®
- CSA B45
- CMR 248



Top View



Side View

